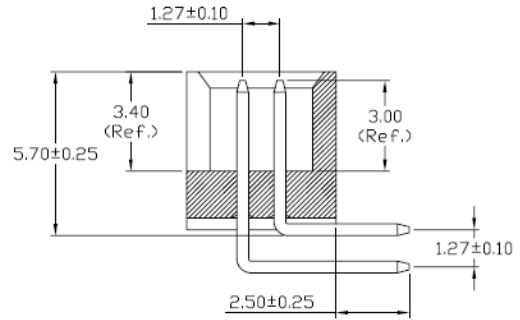
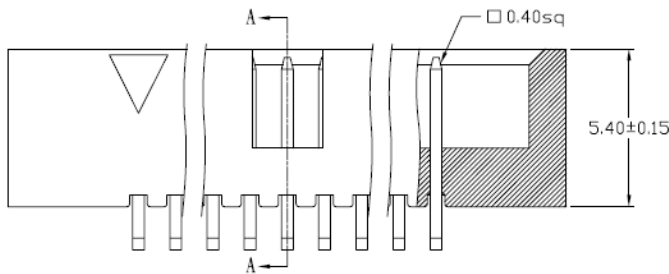


BOX HEADER, PITCH 1.27mm, RIGHT ANGLE, DUAL ROWS
Material and Finish

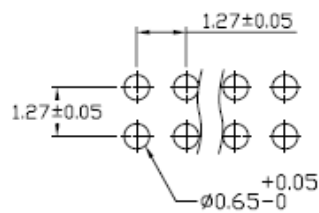
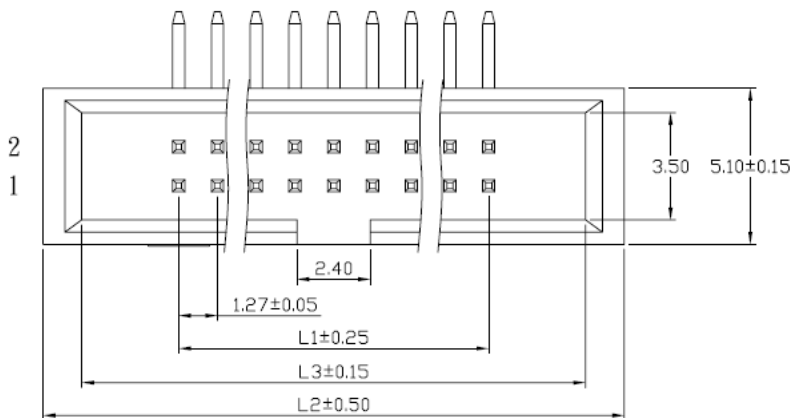
Housing: Polyester, UL 94-0, Black
 Gold, Tin or Duplex plated
 Duplex plated: Gold plated on contact area;
 Tin plated on solder area.

Electrical

Current Rating: 1Amp
 Voltage Rating: 100V
 Insulator Resistance: 1000 Megohms Min.
 Contact Resistance: 20m ohms Max.
 Dielectric Withstanding: AC 500V/minute
 Operating Temperature: -40 ~+105°C



Section A-A



RECOMMENDED P. C. B. LAYOUT

| Cir- cuits | Dimension mm | | |
|---------------|--------------|-------|-------|
| | L1 | L2 | L3 |
| 2X3 | 2.54 | 10.11 | 8.56 |
| 2X5 | 5.08 | 12.65 | 11.10 |
| 2X6 | 6.35 | 13.92 | 12.37 |
| 2X7 | 7.62 | 15.19 | 13.64 |
| 2X8 | 8.89 | 16.46 | 14.91 |
| 2X10 | 11.43 | 19.00 | 17.45 |
| 2X12 | 13.97 | 21.54 | 19.99 |
| 2X13 | 15.24 | 22.81 | 21.26 |
| 2X14 | 16.51 | 24.08 | 22.53 |
| 2X15 | 17.78 | 25.35 | 23.80 |
| 2X17 | 20.32 | 27.89 | 26.34 |
| 2X20 | 24.13 | 31.70 | 30.15 |
| 2X22 | 26.67 | 34.24 | 32.69 |
| 2X25 | 30.48 | 38.05 | 36.50 |
| 2X30 | 36.83 | 44.40 | 42.85 |
| 2X32 | 39.37 | 46.94 | 45.39 |
| 2X34 | 41.91 | 49.48 | 47.93 |
| 2X40 | 49.53 | 57.10 | 55.55 |
| 2X50 | 62.23 | 69.80 | 68.25 |

| Series- | Pitch | Row | Color | Plating | Plastic Height | NO. PINS |
|---------|-------------|---------|------------------------|---|----------------|----------|
| BHR- | 1- [2] 1.27 | [2]1.27 | [0] BLACK [1] WHITE | [T0] TIN PLATED, LIGHT TIN [T1] SELECTIVE GOLD PLATED 1u" [G1] FULL GOLD PLATED 1u" | 540 | 2x_ |