

BOX HEADER, PITCH 1.27mm, SMT, DUAL ROWS
Material and Finish

Housing: Polyester, UL 94-0, Black

Gold, Tin or Duplex plated

Duplex plated: Gold plated on contact area;

Tin plated on solder area.

Electrical

Current Rating: 1Amp

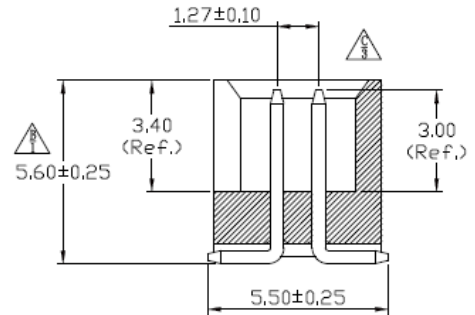
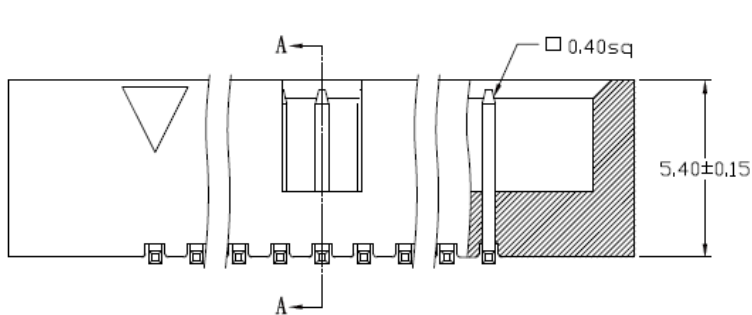
Voltage Rating: 100V

Insulator Resistance: 1000 Megohms Min.

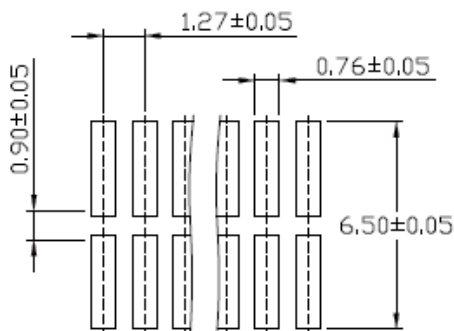
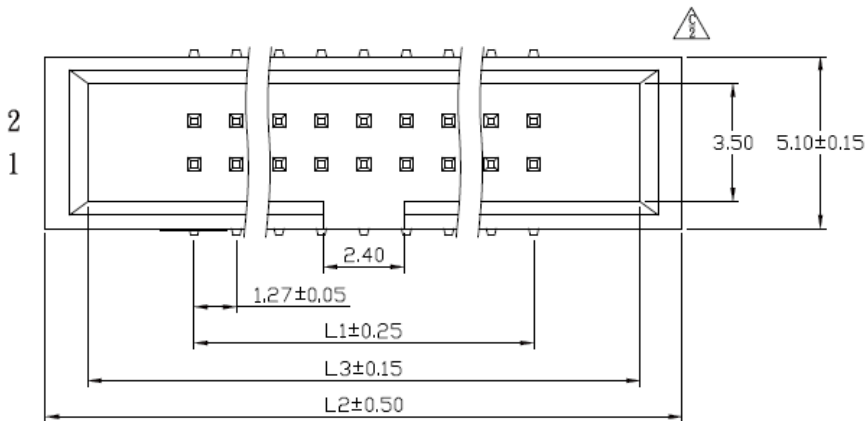
Contact Resistance: 20m ohms Max.

Dielectric Withstanding: AC 500V/minute

Operating Temperature: -40 ~+105°C



Section A-A


RECOMMENDED P. C. B. LAYOUT

Cir- cuits	Dimension mm		
	L1	L2	L3
2X3	2.54	10.11	8.56
2X5	5.08	12.65	11.10
2X6	6.35	13.92	12.37
2X7	7.62	15.19	13.64
2X8	8.89	16.46	14.91
2X10	11.43	19.00	17.45
2X12	13.97	21.54	19.99
2X13	15.24	22.81	21.26
2X14	16.51	24.08	22.53
2X15	17.78	25.35	23.80
2X17	20.32	27.89	26.34
2X20	24.13	31.70	30.15
2X22	26.67	34.24	32.69
2X25	30.48	38.05	36.50
2X30	36.83	44.40	42.85
2X32	39.37	46.94	45.39
2X34	41.91	49.48	47.93
2X40	49.53	57.10	55.55
2X50	62.23	69.80	68.25

Series-	Pitch	Row	Plating	Plastic Height	NO. PINS
BHM-	1-	[2] 1.27 [2]1.27	[T0] TIN PLATED, LIGHT TIN [T1] SELECTIVE GOLD PLATED 1u" [G1] FULL GOLD PLATED 1u"	540	2x_