

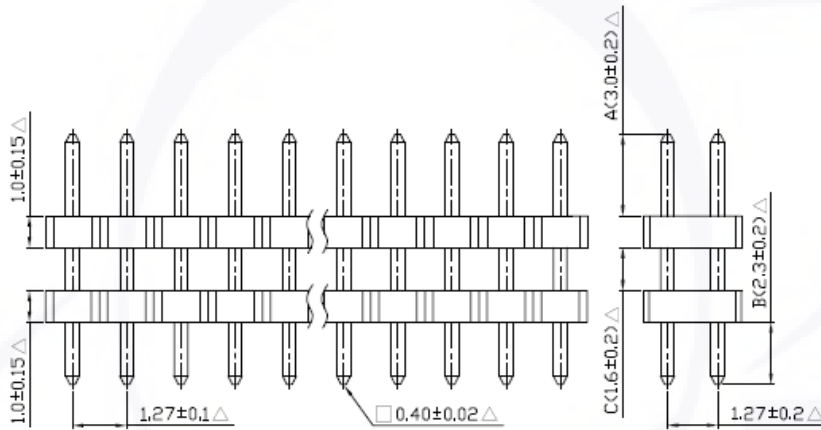
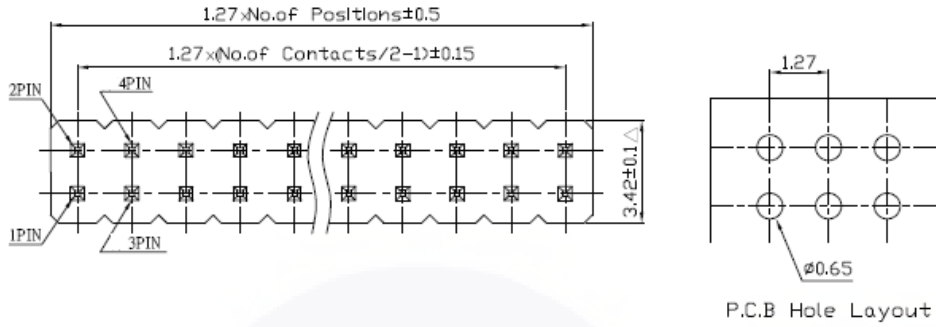
PIN HEADER, DUAL STACKS, HEIGHT 1.00, PITCH 1.27, ROW SPACE 1.27, DUAL ROWS, STRAIGHT, DIP, CONTACT 3.00, TAIL 2.30

Material and Finish

Contact Material: Copper Alloy
 Insulator Material: Polyester, UL94V-0
 Standard: Nylon-6T
 Finish: Gold plated
 Standard: Gold Flash all over

Electrical

Current Rating: 1AMP
 Insulation Resistance: 1000M Megohms Min.
 Dielectric Withstanding Voltage: 500V AC
 Operating Temperature: -40°C ~ +105°C



Series	Pitch	Row	Post	Cap	Plating	Plastic Height	Pin Length	Option	N0. Pins
P2S-	[2] 1.27	[2] 1.27	[0] W/O	[0] W/O CAP	[G1] FULL GOLD PLATED 1u" [G15] FULL GOLD PLATED 15u"	100	-030/016/023 (A/C/B)		2X_