

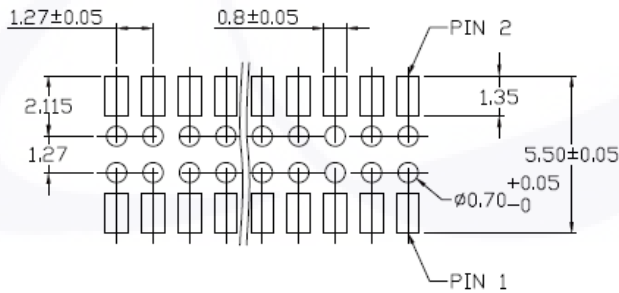
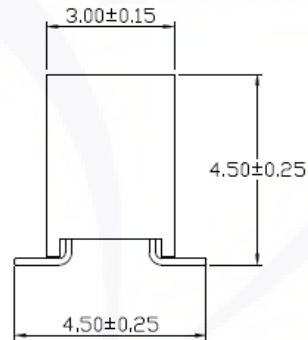
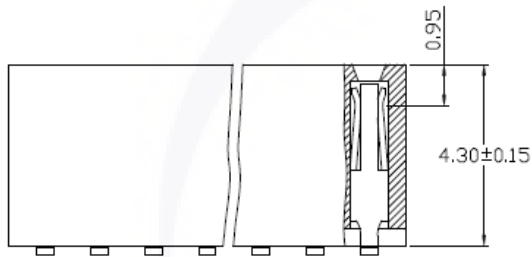
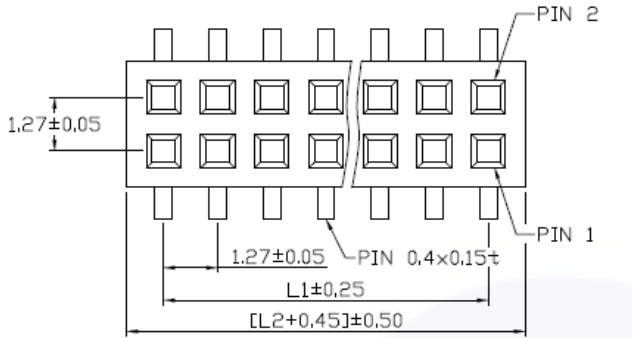
## FEMALE HEADER SMT HEIGHT 4.30 PITCH 1.27 ROW SPACE 1.27 DUAL ROWS LAYOUT 5.50

### Material and Finish

Housing: High Temperature Thermoplastic + Glass Fibre UL94V-0  
 Color: Black  
 Contact: Phosphor Bronze  
 Plating: Gold, Tin or Duplex plated  
 Standard: Gold flash  
 Duplex plated: Gold plated on contact area  
 Tin on solder area

### Electrical

Current Rating: 1 AMP  
 Insulation Resistance: 1000M ohms Min.  
 Contact Resistance: 20M ohms Max.  
 Dielectric Withstanding: AC 500V/minute.  
 Operating Temperature: -40°C ~ +105°C



**RECOMMENDED P.C.B. SMT LAYOUT**

Cir-cuits	Dimension mm	
	L1	L2
2x2	1,27	2,54
2x3	2,54	3,81
2x4	3,81	5,08
2x5	5,08	6,35
2x6	6,35	7,62
2x7	7,62	8,89
2x8	8,89	10,16
2x9	10,16	11,43
2x10	11,43	12,70
2x11	12,70	13,97
2x12	13,97	15,24
2x13	15,24	16,51
2x14	16,51	17,78
2x15	17,78	19,05
2x16	19,05	20,32
2x17	20,32	21,59
2x18	21,59	22,86
2x19	22,86	24,13
2x20	24,13	25,40
2x21	25,40	26,67
2x22	26,67	27,94
2x23	27,94	29,21
2x24	29,21	30,48
2x25	30,48	31,75
2x26	31,75	33,02
2x27	33,02	34,29
2x28	34,29	35,56
2x29	35,56	36,83
2x30	36,83	38,10
2x31	38,10	39,37
2x32	39,37	40,64
2x33	40,64	41,91
2x34	41,91	43,18
2x35	43,18	44,45
2x36	44,45	45,72
2x37	45,72	46,99
2x38	46,99	48,26
2x39	48,26	49,53
2x40	49,53	50,80
2x41	50,80	52,07
2x42	52,07	53,34
2x43	53,34	54,61
2x44	54,61	55,88
2x45	55,88	57,15
2x46	57,15	58,42
2x47	58,42	59,69
2x48	59,69	60,96
2x49	60,96	62,23
2x50	62,23	63,50

Series	Pitch	Row	Post	Plating	Plastic Height	layout	Option	NO. Pins
FM- (SMT)	1- [2] 1.27	[2] 1.27	[0] W/O [1] W/	[G1] FULL GOLD PLATED 1u" [G15] FULL GOLD PLATED 15u"	430	550		2x_