

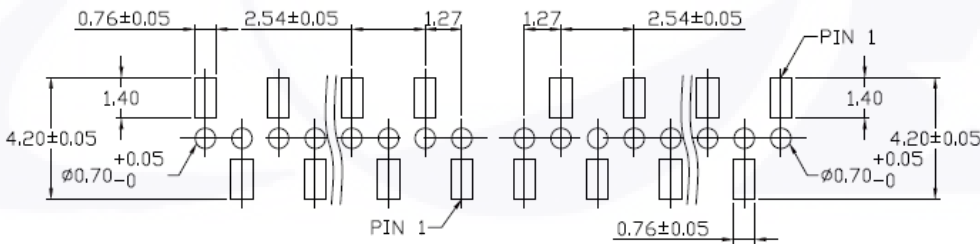
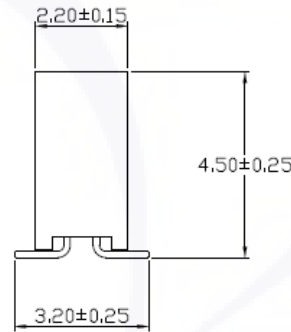
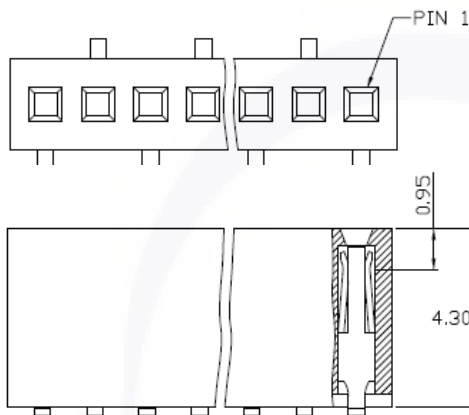
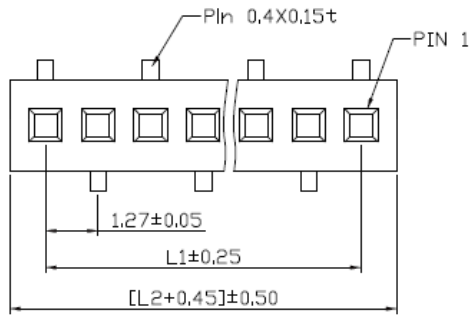
FEMALE HEADER SMT HEIGHT 4.30 PITCH 1.27 SINGLE ROW LAYOUT 4.20

Material and Finish

Housing: High Temperature Thermoplastic + Glass Fibre UL94V-0
 Color: Black
 Contact: Phosphor Bronze
 Plating: Gold, Tin or Duplex plated
 Standard: Gold flash
 Duplex plated: Gold plated on contact area
 Tin on solder area

Electrical

Current Rating: 1 AMP
 Insulation Resistance: 1000M ohms Min.
 Contact Resistance: 20M ohms Max.
 Dielectric Withstanding: AC 500V/minute.
 Operating Temperature: -40°C ~ +105°C



RECOMMENDED P.C.B. SMT LAYOUT(A Type) RECOMMENDED P.C.B. SMT LAYOUT(B Type)

Cir-cuits	Dimension mm	
	L1	L2
3	2.54	3.81
4	3.81	5.08
5	5.08	6.35
6	6.35	7.62
7	7.62	8.89
8	8.89	10.16
9	10.16	11.43
10	11.43	12.70
11	12.70	13.97
12	13.97	15.24
13	15.24	16.51
14	16.51	17.78
15	17.78	19.05
16	19.05	20.32
17	20.32	21.59
18	21.59	22.86
19	22.86	24.13
20	24.13	25.40
21	25.40	26.67
22	26.67	27.94
23	27.94	29.21
24	29.21	30.48
25	30.48	31.75
26	31.75	33.02
27	33.02	34.29
28	34.29	35.56
29	35.56	36.83
30	36.83	38.10
31	38.10	39.37
32	39.37	40.64
33	40.64	41.91
34	41.91	43.18
35	43.18	44.45
36	44.45	45.72
37	45.72	46.99
38	46.99	48.26
39	48.26	49.53
40	49.53	50.80
41	50.80	52.07
42	52.07	53.34
43	53.34	54.61
44	54.61	55.88
45	55.88	57.15
46	57.15	58.42
47	58.42	59.69
48	59.69	60.96
49	60.96	62.23
50	62.23	63.50

Series	Pitch	Post	Plating	Plastic Height	layout	Option	NO. Pins	
FM- (SMT)	1-	[2] 1.27	[0] W/O	[G1] FULL GOLD PLATED 1u" [G15] FULL GOLD PLATED 15u"	430	420	[A] A TYPE [B] B TYPE	1x_