

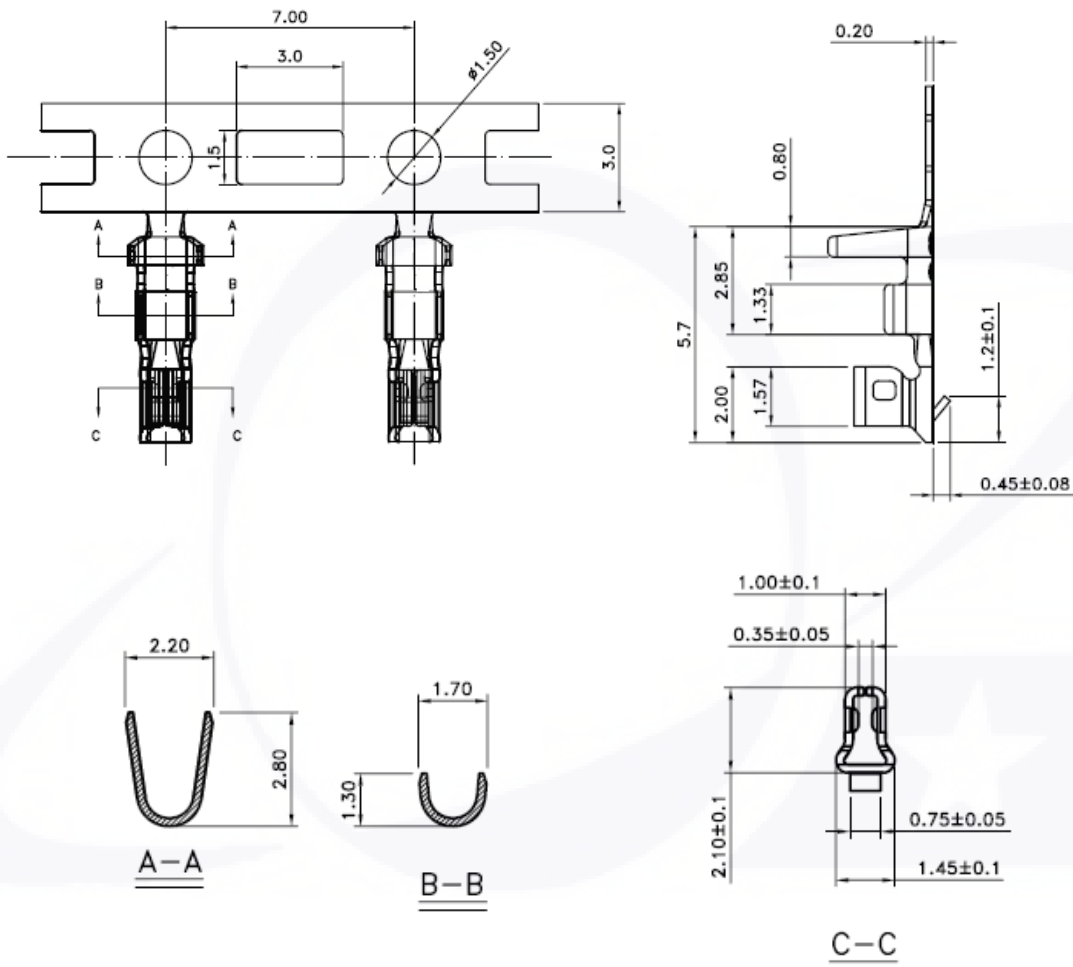
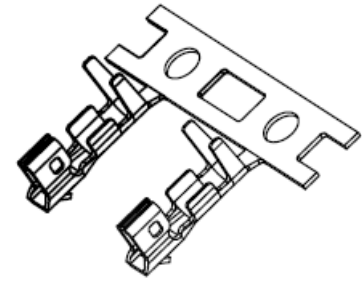
## WAFER CONNECTOR, PITCH 2.00, TERMINAL, CRIMP TYPE

### Terminal

Applicable Wire: AWG # 22-28  
 Material: Phos. Bronze  
 Finish: Tin Plated, Gold Plated  
 Thickness: 0.2mm

### Electrical

Current Rating: 2A AC/DC  
 Withstanding Voltage: 800V AC RMS for 1 minute.  
 Insulation Resistance: 1,000M ohms Min.  
 Temperature Range: -25°C ~ +85°C  
 Contact Resistance: 20m ohms Max.



Series	Free Code	Pitch	Plated
WH	1-	[D] 2.00mm	[T0] Tin Plated [G0] Gold Plated