

## POWER CONNECTOR MINI FIT, PITCH 4.20mm, DUAL ROWS, STRAIGHT DIP, WITH POST, BMI TYPE

### Material and finish

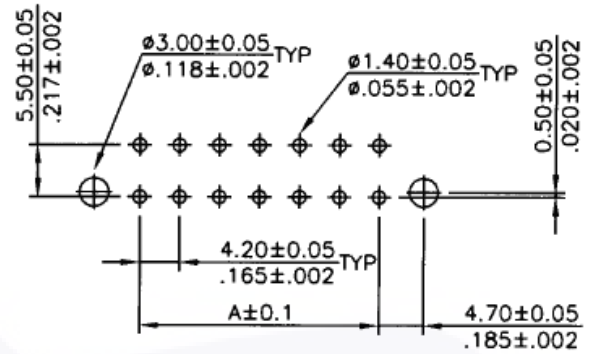
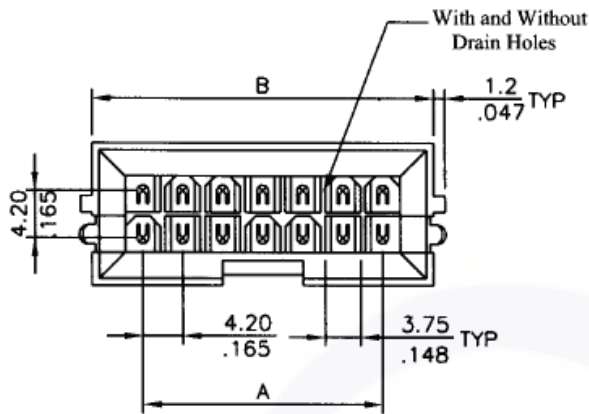
Housing: Nylon 66, UL 94V-0. Color: White.  
Contact: Brass, Tin plated

### Features

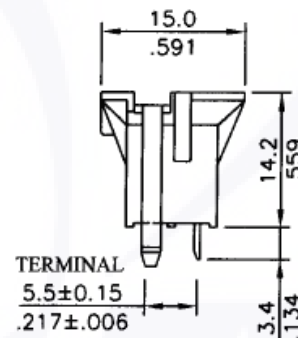
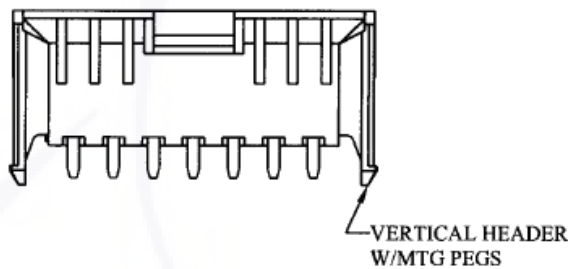
Available in 4 thru 24 circuits.  
Voltage rating: 600V/AC (R.M.S.)  
Current rating: 9 Amps Max

### Electrical

Withstanding Voltage: 1500V AC for 60 seconds.  
Insulation resistance: 1000M ohm Min.  
Contact resistance: 10 Megohms Max.  
Temperature range: -40°C to +105°C  
Temperature Rise: 30°C Max.



P.C. Board Layout



CIRCUITS	DIMENSION in.(mm)		CIRCUITS	DIMENSION in.(mm)	
	A	B		A	B
4	0.165(4.20)	0.598(15.2)	16	1.157(29.40)	1.598(40.6)
6	0.331(8.40)	0.764(19.4)	18	1.323(33.60)	1.764(44.8)
8	0.496(12.60)	0.929(23.6)	20	1.488(37.80)	1.929(49.0)
10	0.661(16.80)	1.094(27.8)	22	1.654(42.00)	2.094(53.2)
12	0.827(21.00)	1.260(32.0)	24	1.819(46.20)	2.260(57.4)
14	0.992(25.20)	1.433(36.4)			

### TOLERANCE

2P~8P A±0.2 B±0.3  
10P~16P A±0.3 B±0.4  
18P~24P A±0.4 B±0.5

Series-	Pitch	Type	Hook	Post	Color	Material	Plated	NO. PINS
PWB	1- [3] 4.20	[S] STRAIGHT/ DIP	[0] W/O Hook	[1] W/	[1] WHITE	[2] N66	[T0] TIN PLATED	