

MICRO USB CONNECTOR, FOR CABLE, B TYPE, MALE, 5 PINS

Specification

Contact Resistance:

(1) 30m Ohms Max. at 100mA

(2) 10,000 Cycles After: 40m ohms Max. at 100mA

Rated Voltage: AC 30V

Contact Current Rating:

(1) Signal Line: 1A/Pin (NO. 1 to 5)

(2) 2-Line for Power: 1.8A/Pin (NO.1 and 5), 0.5A/Pin (NO. 2 to 4)

Insulation Resistance: 100M Ohms Min. At 500V DC

Dielectric Withstanding Voltage: 100V AC for 1 Minute

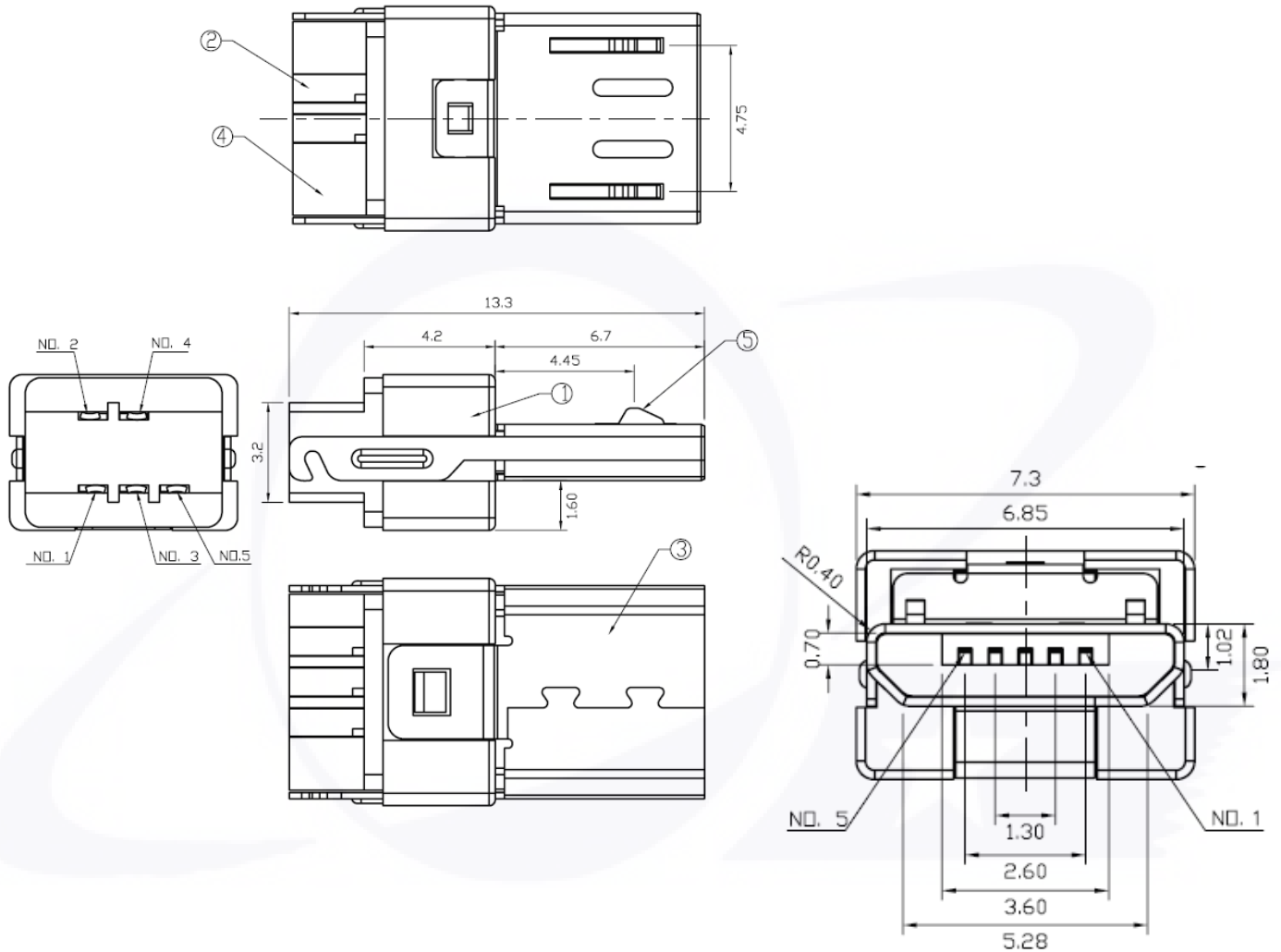
Durability (Life Test): 10,000 Cycles

Insertion Force: 35 Newton Max.

Extraction Force: 8 Newton Min.

Operating Temperature: -30°C to +80°C

Solderability: 260°C± 5°C; 5 Sec.



Series-	Type	Style	No. Pins	Insulator Color	Plating	Packing-	Status-
UMC	1- [B] B TYPE	[1] MALE	5	[0] BLACK	[T1] SELECTIVE GOLD PLATED 1u"	[G] BAG [X] BOX [R] REEL [U] TUBE [Y] TRAY	[R]RoHS