

SATA CONNECTOR, 7+15 PINS, FEMALE, REVERSE SMT, HEIGHT 7.50mm

Material

Base: High Temperature Thermoplastic, UL 94V-0.

Terminal: Copper Alloy T=0.30mm

Forklock: Copper Alloy T=0.30mm

Electrical

Current Rating: 1.5 Amp Per Contact

Contact Resistance: 30 Milli Ohms Max.

Insulation Resistance: 1000 Mrg Ohms Min.

Dielectric Withstanding Voltage: 500 VAC.

Operating Temperature: -20~+85°C

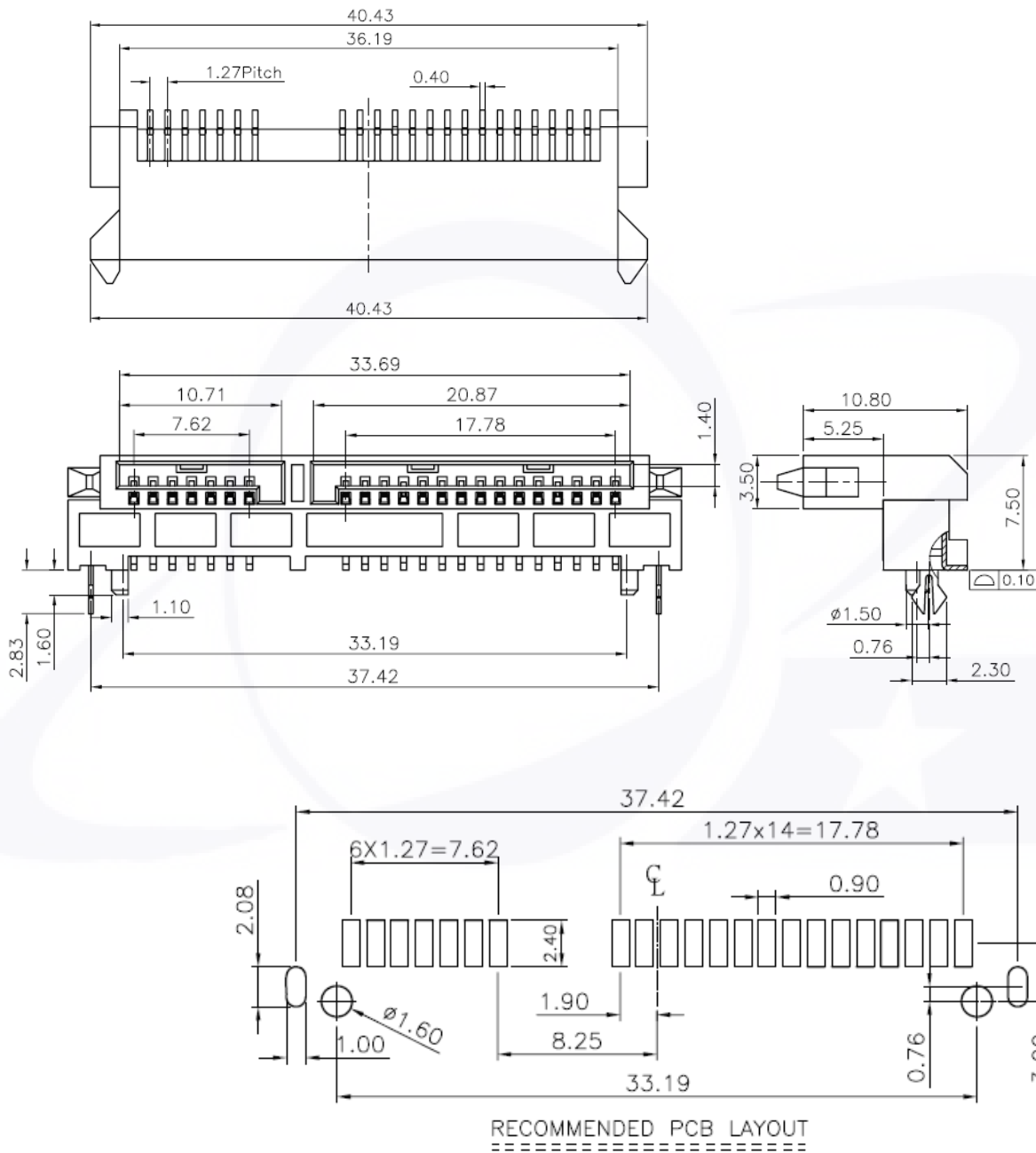
Plating:

Contact: Gold over 50u" Min. Nickel Underplate

Soldertail: 150u" Min. Tin over 50u" Min Nickel underplated

Latch: 100u" Min Tin plating on soldertail 50u" Min Nickel

underplating over all Gold specification: see table



Series-	NO. of Contact	Type	Solder/ Contact Type	Angle	Contact Plating	Color	Height
ATA-	1-	22	[F] Female [RM] Reverse/ SMT	[R] Right Angle	[G15] Gold 15u"	[0] Black	750