

SATA CONNECTOR, 7+15 PINS, FEMALE, STANDARD DIP, HEIGHT 9.35mm

Material

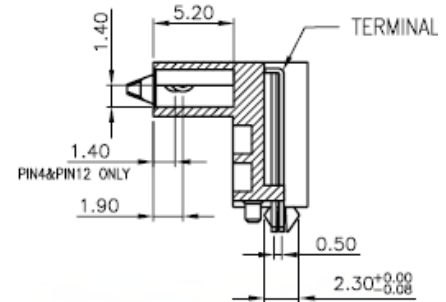
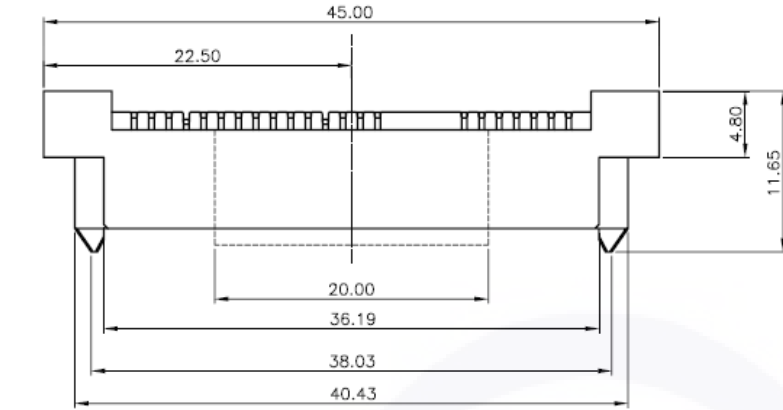
Base: High Temperature Thermoplastic, UL 94V-0.
Terminal: Copper Alloy T=0.30mm

Plating:

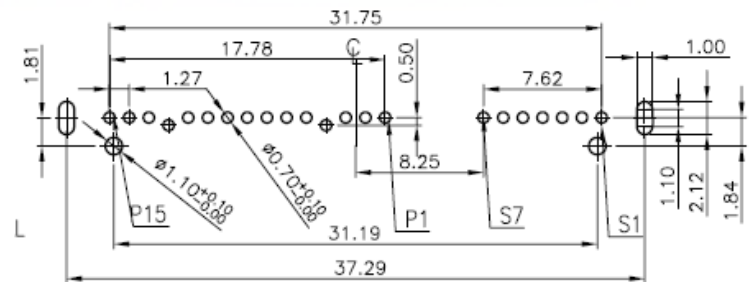
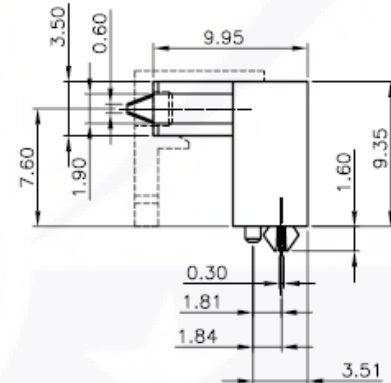
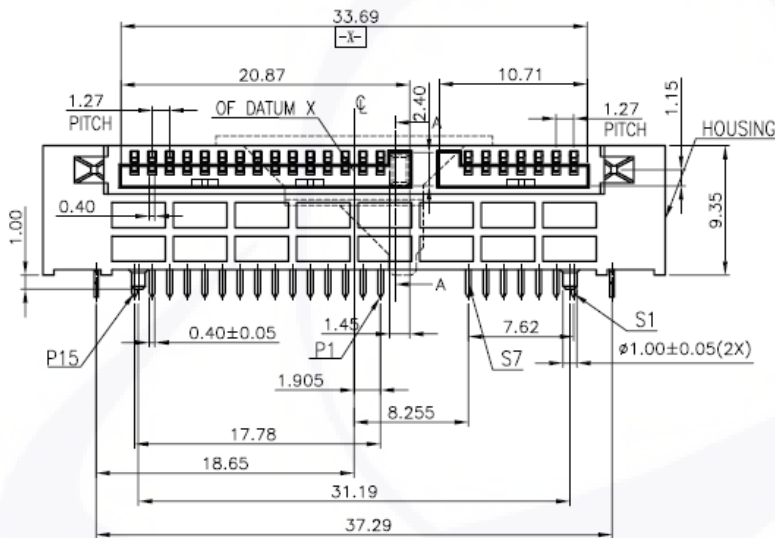
Contact: Gold over 50u" Min. Nickel Underplate
Solder-tail: 150u" Min. Tin over 50u" Min Nickel underplated
Screw: Nickel Plated

Electrical

Current Rating: 1.5 Amp Per Contact
Contact Resistance: 30 Milli Ohms Max.
Insulation Resistance: 1000 Mrg Ohms Min.
Dielectric Withstanding Voltage: 500 VAC.
Operating Temperature: -40~+85°C



SECTION A-A



RECOMMEND PCB LAYOUT
PCB THICKNESS=1.20mm(Tolerance ±0.05)

Series-	NO. of Contact	Type	Solder/ Contact Type	Angle	Contact Plating	Color	Height
ATA-	1-	22	[F] Female [SD] Standard/DIP	[R] Right Angle	[G15] Gold 15u"	[0] Black	935