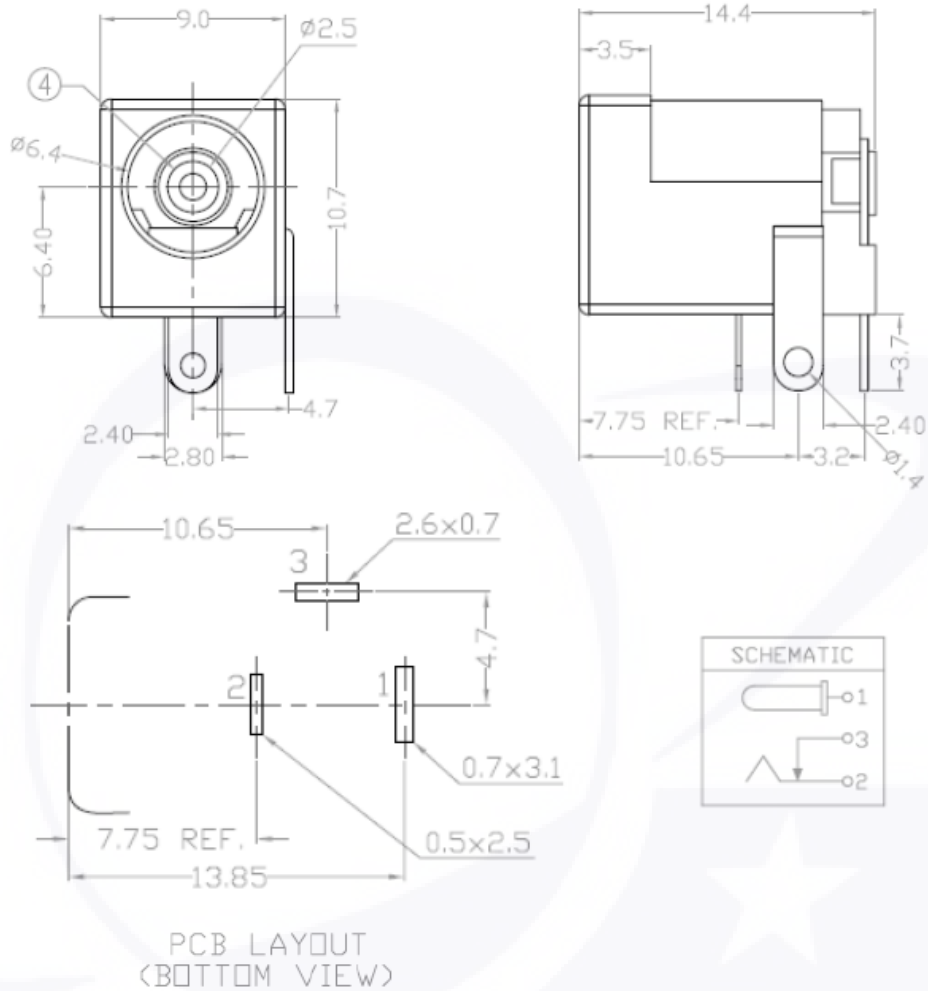


DC POWER JACK 2.50mm

Specification:

Contact Resistance: 30 ohms Max. at AC 100mA Max, 1 KHz
 Insulation Resistance: 100M Ohms Min. at 500V DC
 Rated Voltage and Current: DC12V .2A Max; AC 100V .1A Max
 Dielectric Withstanding Voltage: 500V AC for 1 Min.
 Insertion Force: 3.0 Kg Max.
 Extraction Force: 0.3 Kg Max



Series-	Center Dia.	Schematic	Plating	Color	Status	
DCP-	1-	160-	[1] Normal	[s] Silver	[0] Black	[R] RoHS