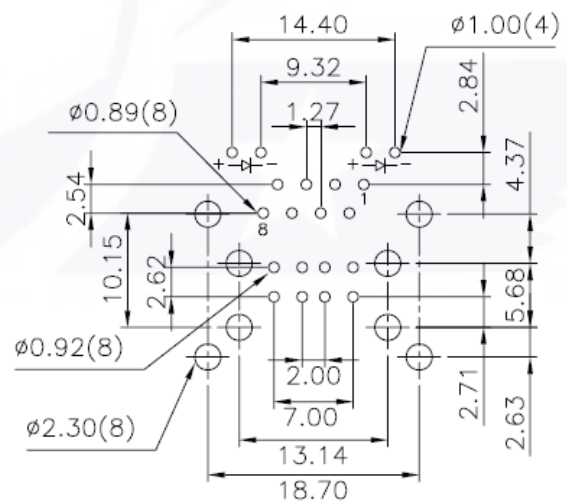
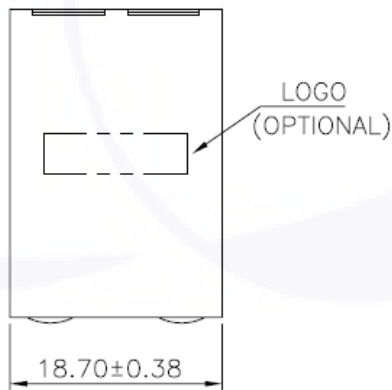
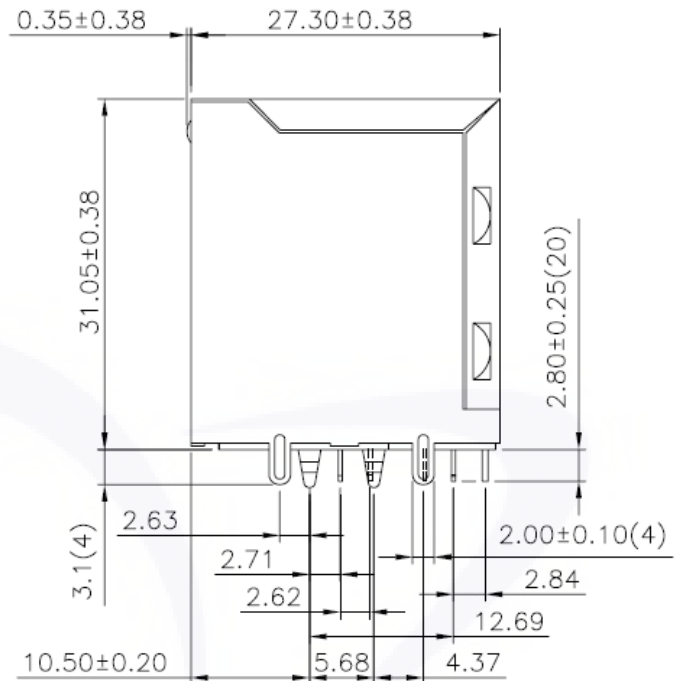
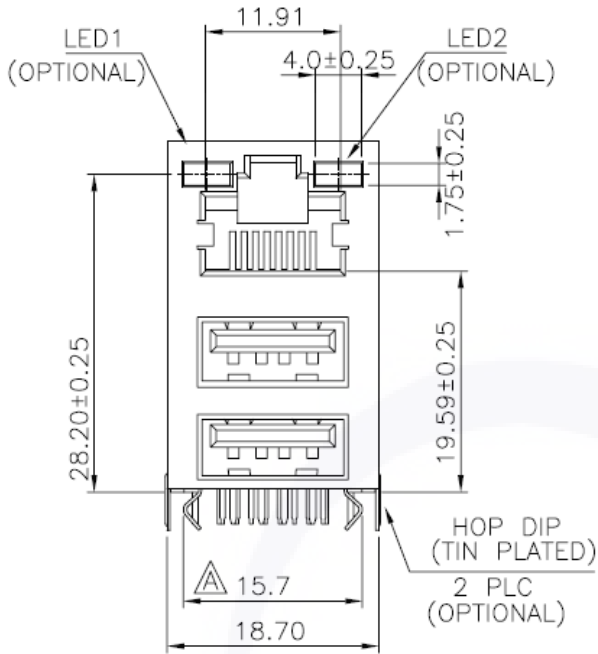


**MODULAR JACK RJ45 + USBx2, SHIELD, LED G/Y, W/O TRANSFORMER, RECEPTACLE**

**Material**

Housing- PBT Polyester UL94V-0 , mixed Fiber glass. Standard color: Black.  
 Contacts-0.35mm thick, Phos-Bronze plated with Hard Gold and Gold Flash in solder are.  
 Shield- 0.20mm thick, Copper Alloy plated with Nickel.  
 Cavity confirms to FCC rules and regulations Part 68, Subpart F.



**PCB LAYOUT**

Ref.

Series	Position	Contact	Angle	LED 1/ LED 2	Plating
RJDU-	1-	[8] 8	[8] 8	[R] 90°	[G6] FULL GOLD PLATED 6u"
				[1] G/Y	
				[2] Y/G	
				[3] G/G	
				[4] Y/Y	
				[5] G/GY	