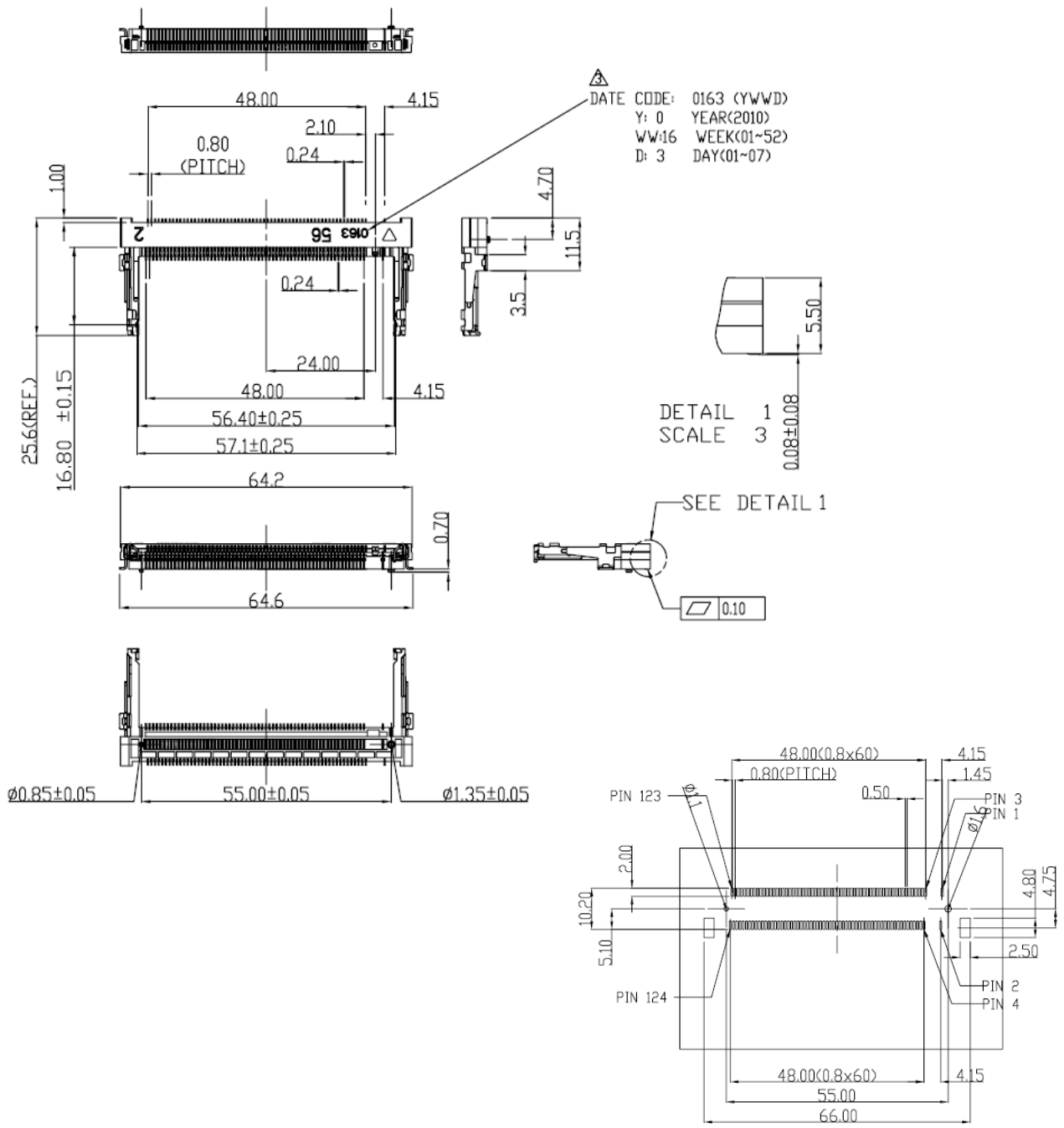


MINI PCI SOCKET, STAND OFF 5.6mm, 124P

Plastic Body: LCP. Color:Black
 Contact: Phosphor Bronze Alloy
 Contact area: Gold 3u"
 Solder area: Matte Tin
 All under-plated Ductile Nickel 50 u" Min.

Latch: SUS304R-1/2H, Matte Tin plated

Contact Resistance: 30m ohms Max.
 Insulation Resistance: 500 M ohms Max.
 Dielectric Withstanding Voltage:
 Mate connector: apply 250V AC at 60 Hz rms.
 Contact Normal Force: 50 gf per pin Min.
 Soldering heat: 260°C
 Rating Voltage: 25V AC
 Rating Current: 0.3A (Max.)/ 1 pin
 Operating Temperature: -40°C to +90°C
 Storage Temperature: -40°C to +90°C



| Series- | Height | No. Pins | Color | Material | Plating | Packing |
|---------|------------|----------|-----------|----------|---------------------------|----------|
| MPI- | 1- [3] 5.6 | [2] 124 | [0] BLACK | [4] LCP | [G3] FULL GOLD PLATED 3u" | [Y] TRAY |