

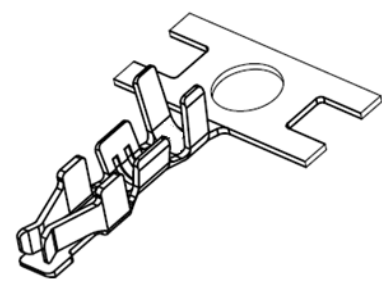
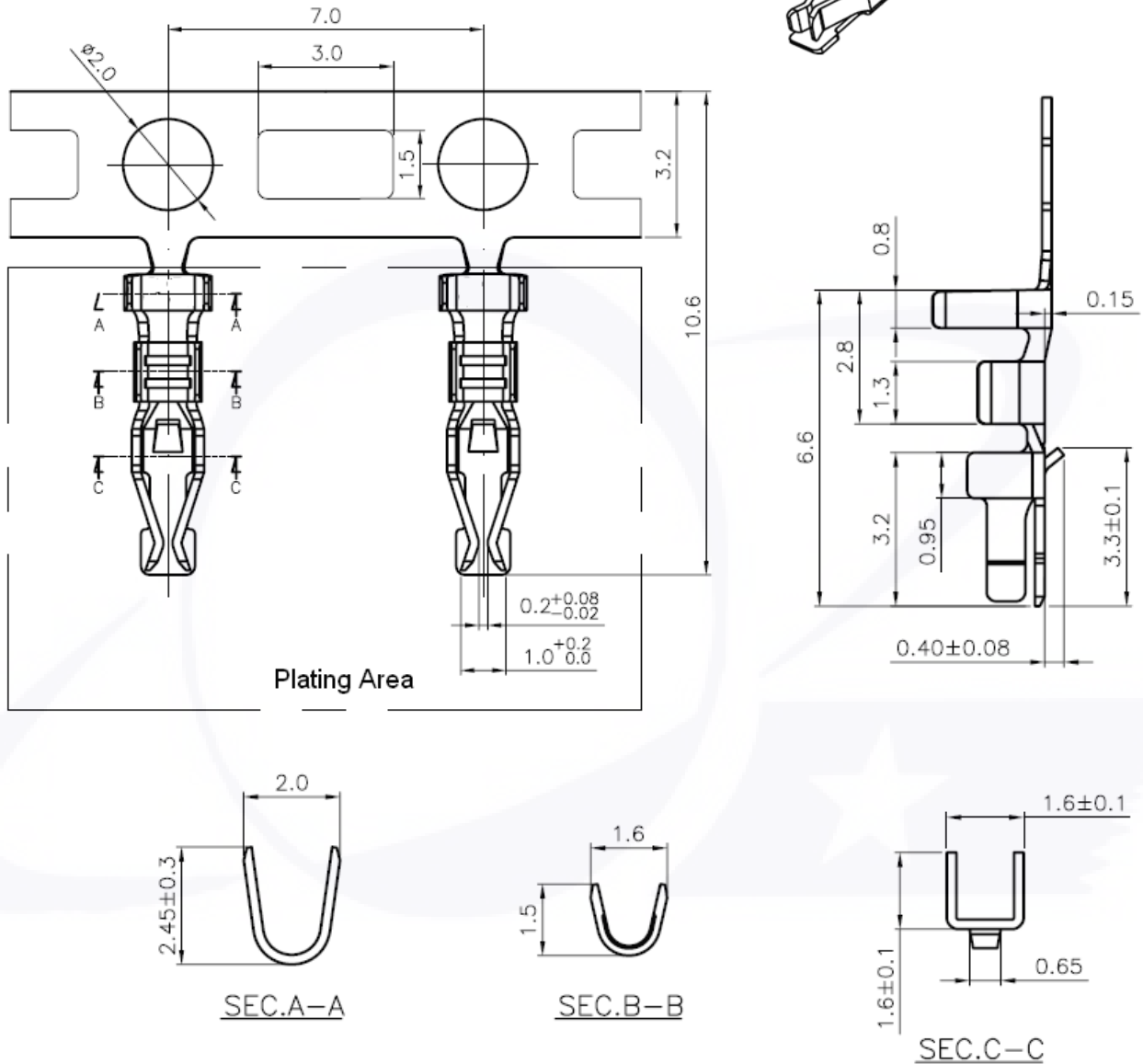
WAFER CONNECTOR, PITCH 2.00, TERMINAL, CRIMP TYPE

Terminal

Applicable Wire: AWG # 22-28
 Material: Phos. Bronze
 Finish: Tin Plated, Gold Plated
 Thickness: 0.2mm

Electrical

Current Rating: 3A AC/DC
 Withstanding Voltage: 800V AC RMS for 1 minute.
 Insulation Resistance: 1,000M ohms Min.
 Temperature Range: -25°C ~ +85°C
 Contact Resistance: 20m ohms Max.



Series	Free Code	Pitch	Plated
WH	2-	[D] 2.00mm	[T0] Tin Plated