

MODULAR JACK RJ45 NON-SHIELDED 10P8C SIDE ENTRY PCB JACK SMT

Material and Finish

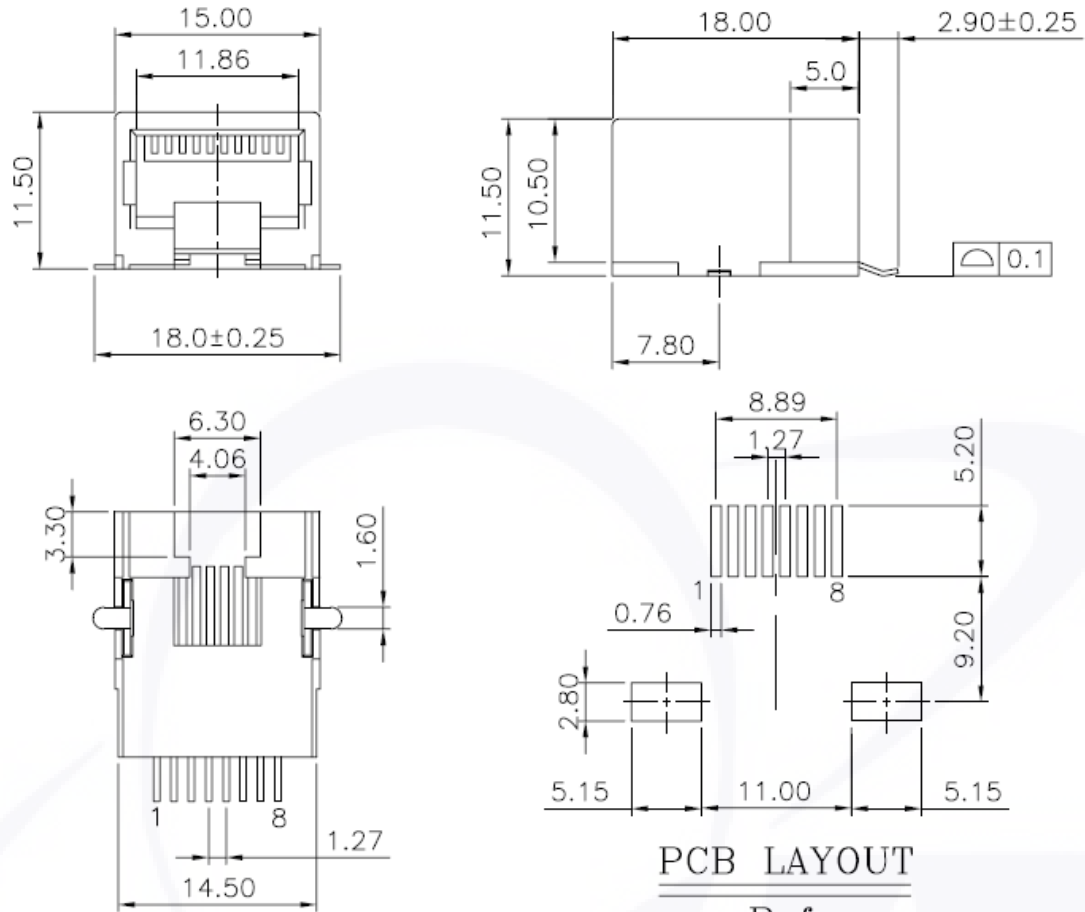
Housing: PA9T GN2330, Heat Resistant Polyimide Resin. Black Color, UL 94V-0.

Insert Housing: DSM STANYL TE250F6 (NYLON-46), Heat Deflection Temp. 290°.Black Color, UL 94V-0.

Contacts: 0.35mm Thick Phos-Bronze plated with Hard Gold and Gold Flash in Solder Area.

Hold Down: 0.30mm Thick Copper Alloy, plated with Tin.

Cavity confirms to FCC rules and regulations Part 68, Subpart F.



PCB LAYOUT

Ref.

Series	Position	Contact	Angle	Deck	No. of Port	Plating	Color	Packing	Option	Status
RJPM-	1-	[0] 10	[8] 8	[R] 90°	[1] SINGLE DECK	[T1] SELECTIVE GOLD PLATED 1u" [T6] SELECTIVE GOLD PLATED 6u"	[0] BLACK	[R] REEL [Y] TRAY		[R] RoHS