

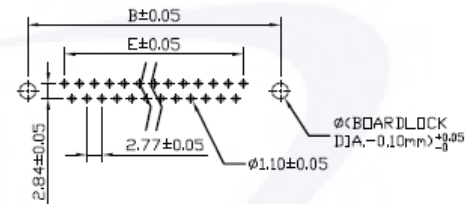
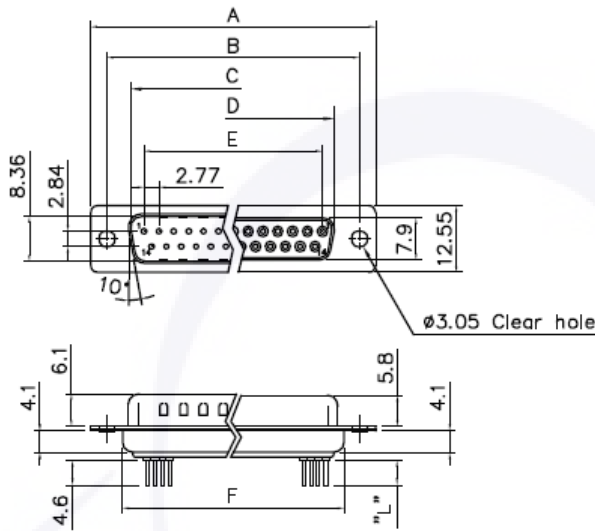
D-SUB CONNECTOR, PCB TYPE, FEMALE, STRAIGHT, 9PINS

Material

Insulator: Glass-Filled Thermoplastic PBT, UL94V-0
 Contact: Brass
 Shell: Steel, 100u" Tin over 50u" min. Copper
 Clinch Nut: Brass, Nickel plated
 Boardlock: Brass, Tin plated
 Screwlock: Brass, Nickel plated

Electrical

Contact Resistance: 20 milliohms
 Insulation Resistance: 1000 megohms min. at 500 VDC
 Dielectric Withstanding Voltage: 1000 VAC/rms 60Hz for 1 minute
 Current Rating: 3 AMP
 Voltage Rating: 250 VAC/rms 60Hz
 Temperature Range: -55°C ~ +85°C



RECOMMENDED PCB LAYOUT

DIMENSION TABLE

| POSITIONS | A±0.15 | B±0.10 | C±0.15 | D±0.13 | E±0.08 | F±0.10 |
|-----------|--------|--------|--------|--------|--------|--------|
| 9 | 30.81 | 24.99 | 16.92 | 16.33 | 11.08 | 19.20 |
| 15 | 39.20 | 33.30 | 25.25 | 24.70 | 19.39 | 27.70 |
| 25 | 53.05 | 47.04 | 38.96 | 38.40 | 33.24 | 41.10 |
| 37 | 69.40 | 63.50 | 55.42 | 54.80 | 49.86 | 57.30 |

| Series- | Type- | NO. Pins- | Angle- | Screw- | Color- | Plating- |
|---------|-----------------|-----------|----------|---------------------------------------|-----------|--------------------------------|
| DBF- | 1- [1] PCB TYPE | 9 | [S] 180° | [0] W/O [1] LOCKED [2] UNLOCKED | [0] BLACK | [T1] SELECTIVE GOLD PLATED 1u" |