

DVI CONNECTOR, SOLDER TYPE, 24+5 PINS, FEMALE, STRAIGHT

Material

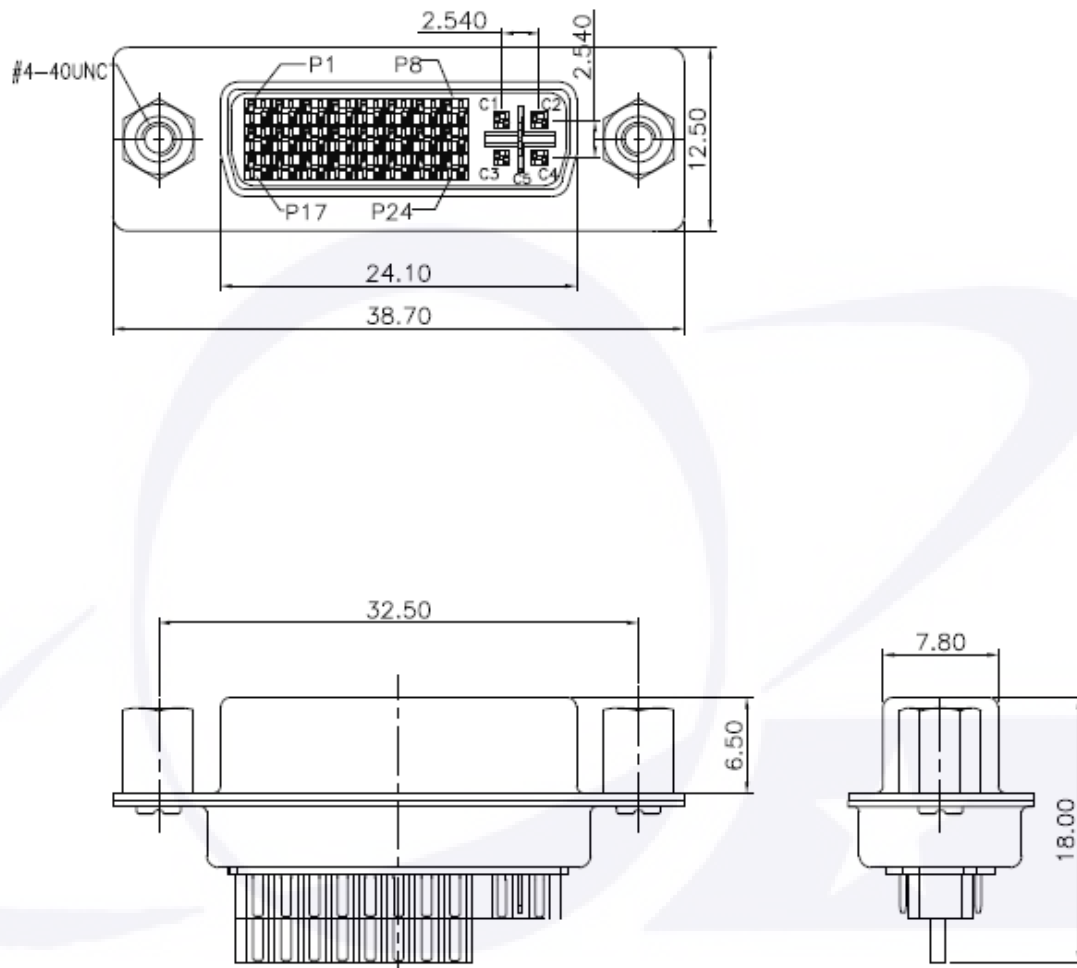
Body & Latch: NY66 Rated
 Contacts: Phosphor Bronze
 Ground Contact: Brass
 Shell: SPCD
 Rivet: Brass
 Contact Plating: Gold Plating over Nickel

Electrical

Current rating: 1.5A
 Voltage rating: 40V
 Contact resistance: 30M ohms Max.
 Insulation resistance: 1000M ohms Min 500V DC.
 Dielectric Withstanding Voltage: 500V AC.

Environmental

Operating temperature: -20°C~80°C



Series-	NO. Pins-	Type	Angle	Screw	Color	Plating-	Option-
DVS-	2-	[2] 29	[2] FEMALE [S] 180°	[0] W/O SCREW [1] W/ SCREW LOCKED [2] W/ SCREW UNLOCKED	[0] BLACK [1] WHITE	[T1] SELECTIVE GOLD PLATED 1u" [G1] FULL GOLD PLATED 1u"	