

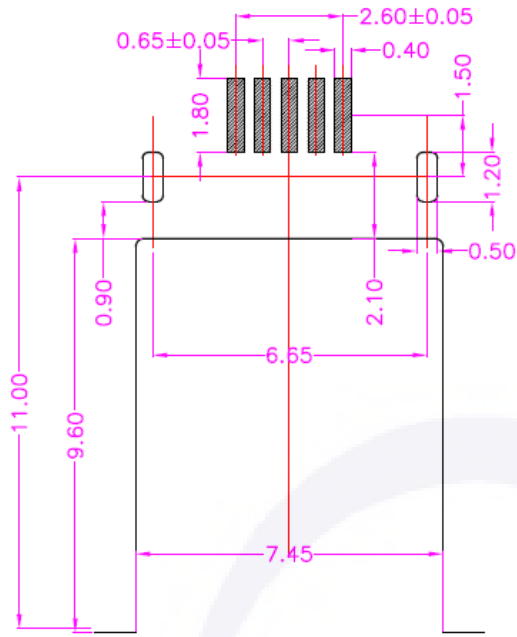
MICRO USB CONNECTOR FOR PCB B TYPE MALE 5 PINS SMT

Material

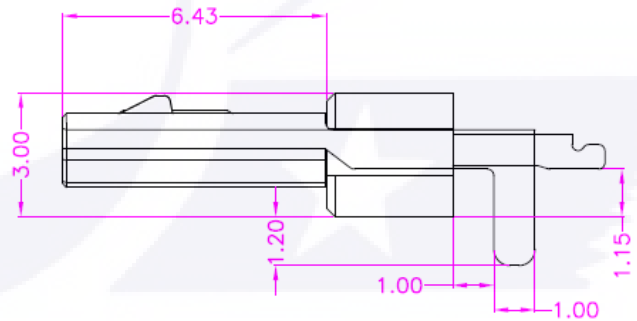
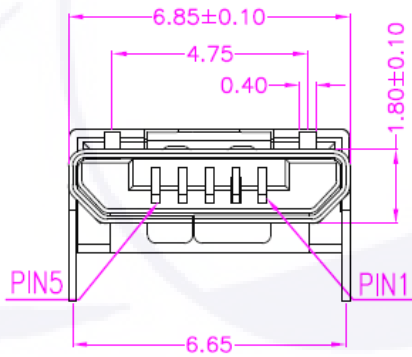
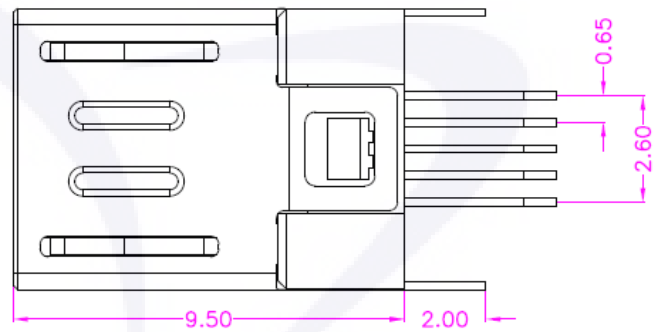
Housing: Hi-Temp, Plastic UL94V-0
 Shell: Stainless Steel, Nickel Plating
 Terminal: Copper Alloy, Gold plated on Contact area; Tin plated on Solder tail

Specification

Current rating: 1.8 Amp Max. (only pin 1 and 5), others 1 Amp Max.
 Dielectric withstanding: 100V AC for one minute
 Contact resistance: 30m Ohms Max.
 Insulation resistance: 100M Ohms min. at DC 500V
 Operation temperature: -25°C~+85°C



P.C.B LAYOUT
TOP VIEW ±0.05



Series-	Type	Style	No. Pins	Deck	Insulator Color	Plating
UMP-	1- [B] B TYPE	[1] MALE	5 [M] SMT	[1] SINGLE DECK	[0] BLACK	[G1] GOLD FLASH