

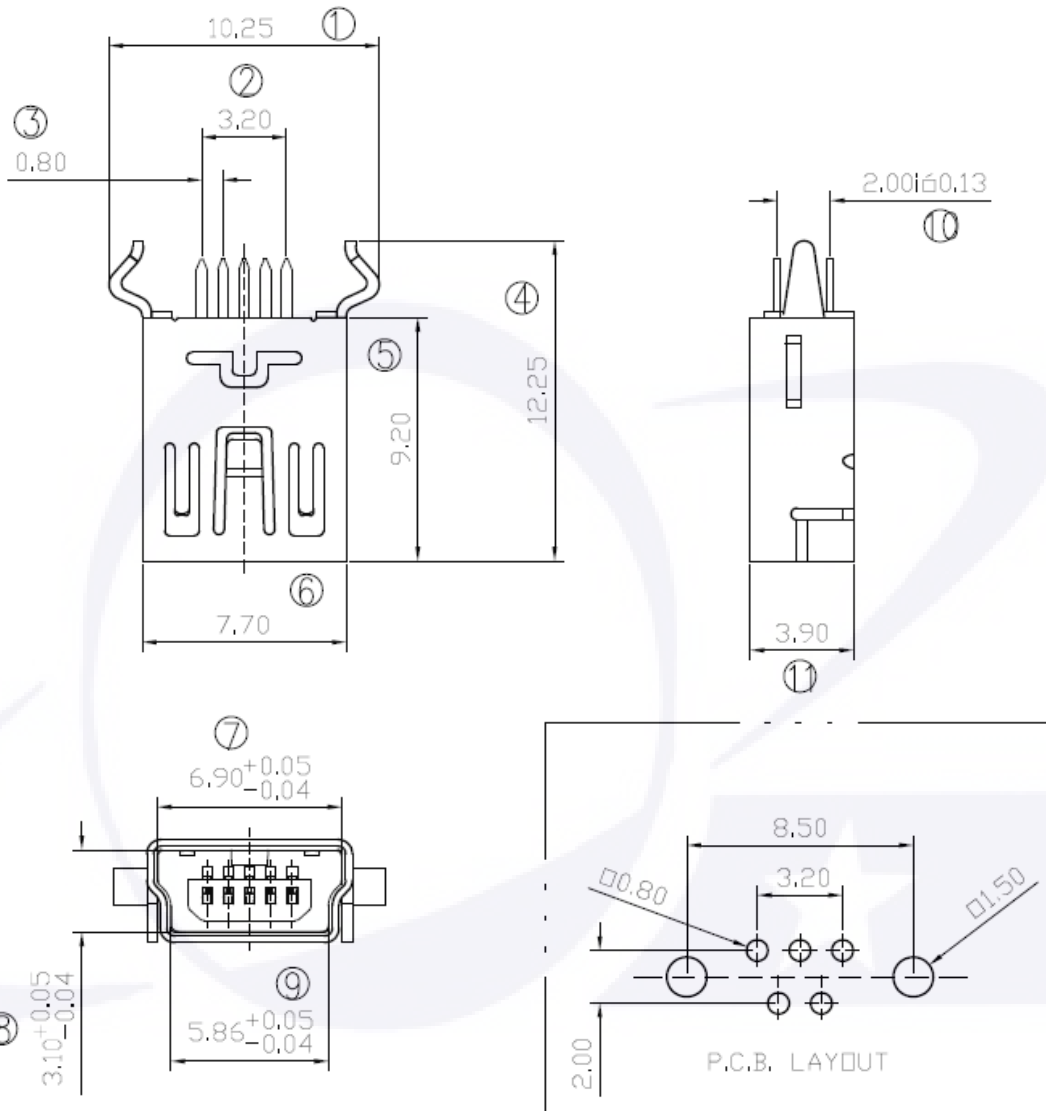
## MINI USB CONNECTOR FOR PCB B TYPE FEMALE 5 PINS DIP TOP ENTRY

### Material and Finish

Insulator: Thermoplastic, UL94V-0  
 Contact: Copper Alloy, T=0.25mm  
 Shell: Copper Alloy/Steel, T=0.40mm  
 Contacts: Gold flash 1, 3, 5, 10, 15, 30u"  
 Shell: Nickel or Tin plated

### Specification

Current rating: 1A Max.  
 Dielectric withstanding voltage: 750VAC for 1 min.  
 Contact resistance: 30m ohms Max.  
 Insulation resistance: 1000M ohms Min.  
 Total mating force: 3.0Kgf Max.  
 Total unmating force: 0.5Kgf Min.  
 Temperature range: -55°C~85°C



Series-	Type	Style	No. Pins	Angle	Deck	Color	Plating
UMP-	1 [B] B TYPE	[2] FEMALE	5	[S] 180°/DIP	[1] SINGLE DECK	[0] BLACK	[G3] GOLD PLATED 3u"