

MODULAR JACK RJ45 NON-SHIELDED 8P8C SIDE ENTRY PCB JACK WITH FLANGE

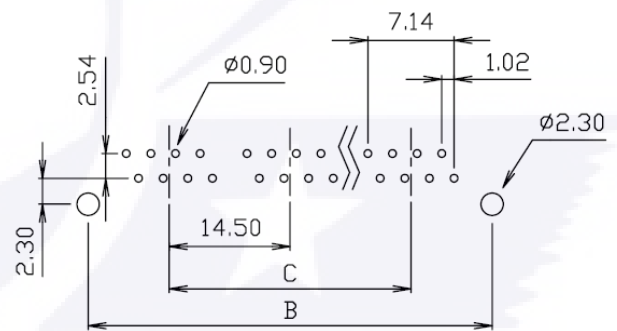
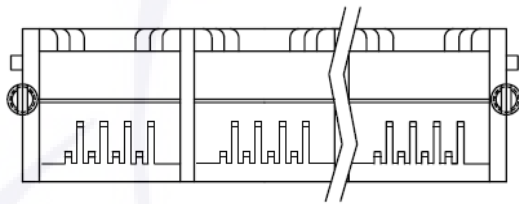
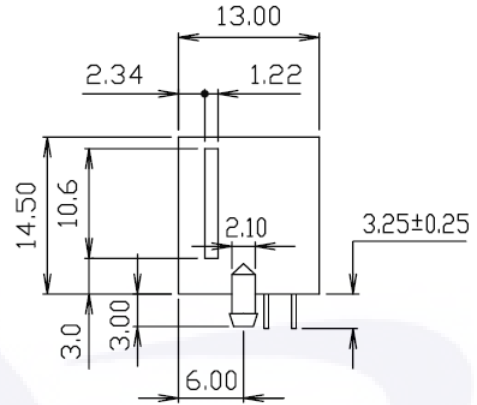
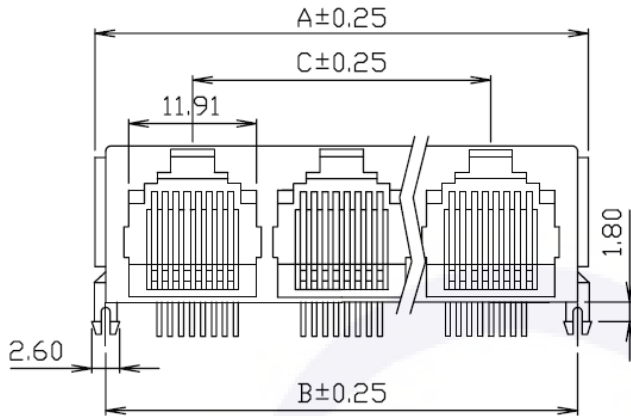
Material

Housing-PBT Polyester, UL94V-0. Mixed Glass Fiber

Standard color gray.

Contacts-0.45mm diameter Phos-Bronze plated with Hard Gold.

Cavity confirms to FCC rules and regulations part 68, subpart F.



$A=14.5(m/m)XP+3.1(m/m)$
 $B=14.5(m/m)XP+0.5(m/m)$
 $C=14.5(m/m)X(P-1)$
 P=NUMBER OF PORTS

PC Board Layout Ref.

Series	Position	Contact	Angle	Deck	No. of Port	Plating	Color
RJP-	1-	[8] 8	[R] 90°	[1] SINGLE DECK	[2] 2	[G3] GOLD PLATED 3u"	[0] BLACK