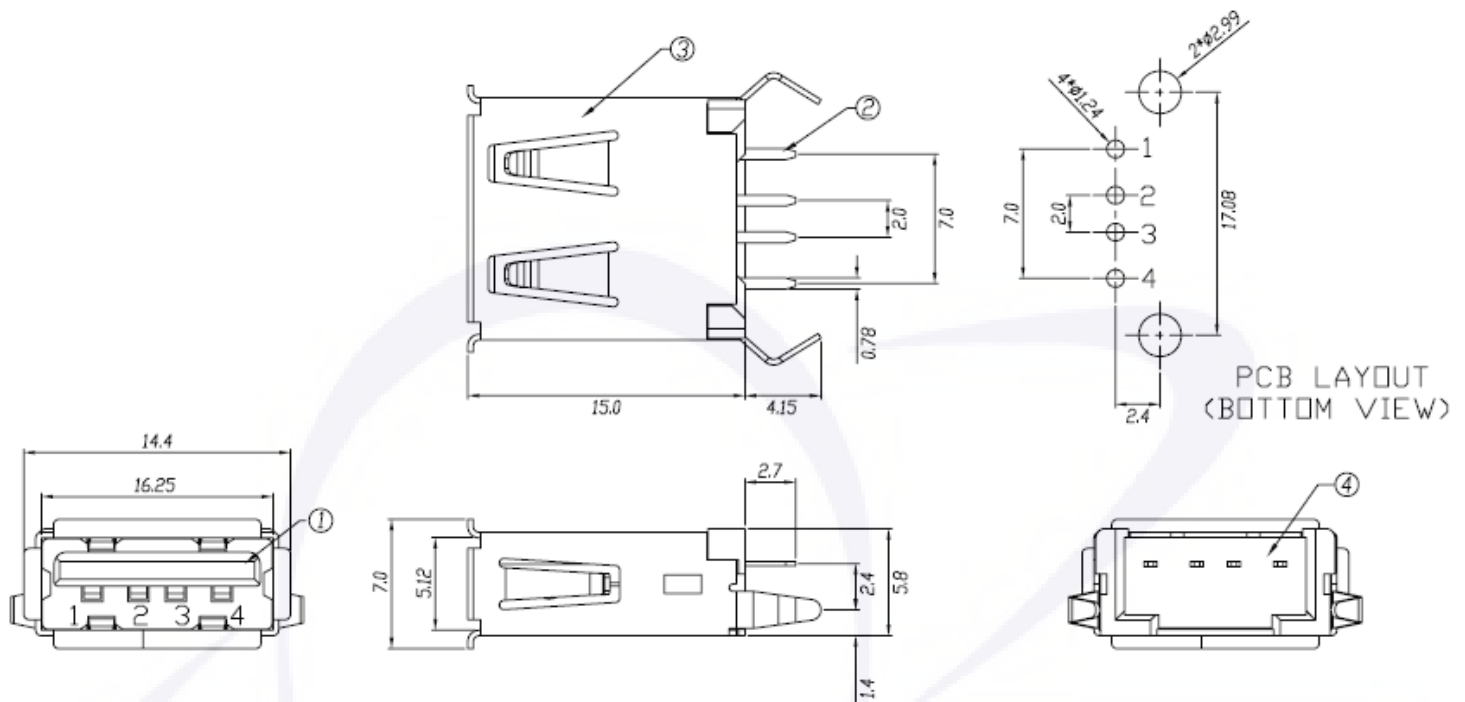


USB CONNECTOR FOR PCB A TYPE FEMALE 4 PINS DIP TOP ENTRY

Specification

Contact Resistance: 30m Ohms Max.
 Insulation Resistance: 1000M Ohm Min. at 500VDC
 Rated Voltage and Current: 1.5A at 250VAC Min.
 Dielectric Withstanding Voltage: 750VAC for 1 Min.
 Durability (Life test): 1500 Cycles
 Insertion Force: 35 Newton Max.
 Extraction Force: 10 Newton Min.



NO.	NAME	MATERIAL	FINISH	Q'TY	REMARK
1	HOUSING	PBT G.F.	WHITE	1	
2	TERMINAL	PHOS. BRONZE T:0.25	GOLD/TIN PLATED	4	Gold:1~3u'; NI:40~60u'; TIN:120u' (100% pure Tin of lead free plating)
3	SHELL	BRASS T:0.3	NICKEL PLATED	1	Ni: 80~120U'
4	BOTTOM COVER	PBT G.F.	WHITE	1	

Series-	Type	Style	No. Pins	Angle	Deck	Color	Plating
UP-	1-	[A] A TYPE [2] FEMALE	4	[S] 180°/DIP	[1] SINGLE DECK	[1] WHITE	[T1] SELECTIVE GOLD PLATED 1u"

FOR PCB