

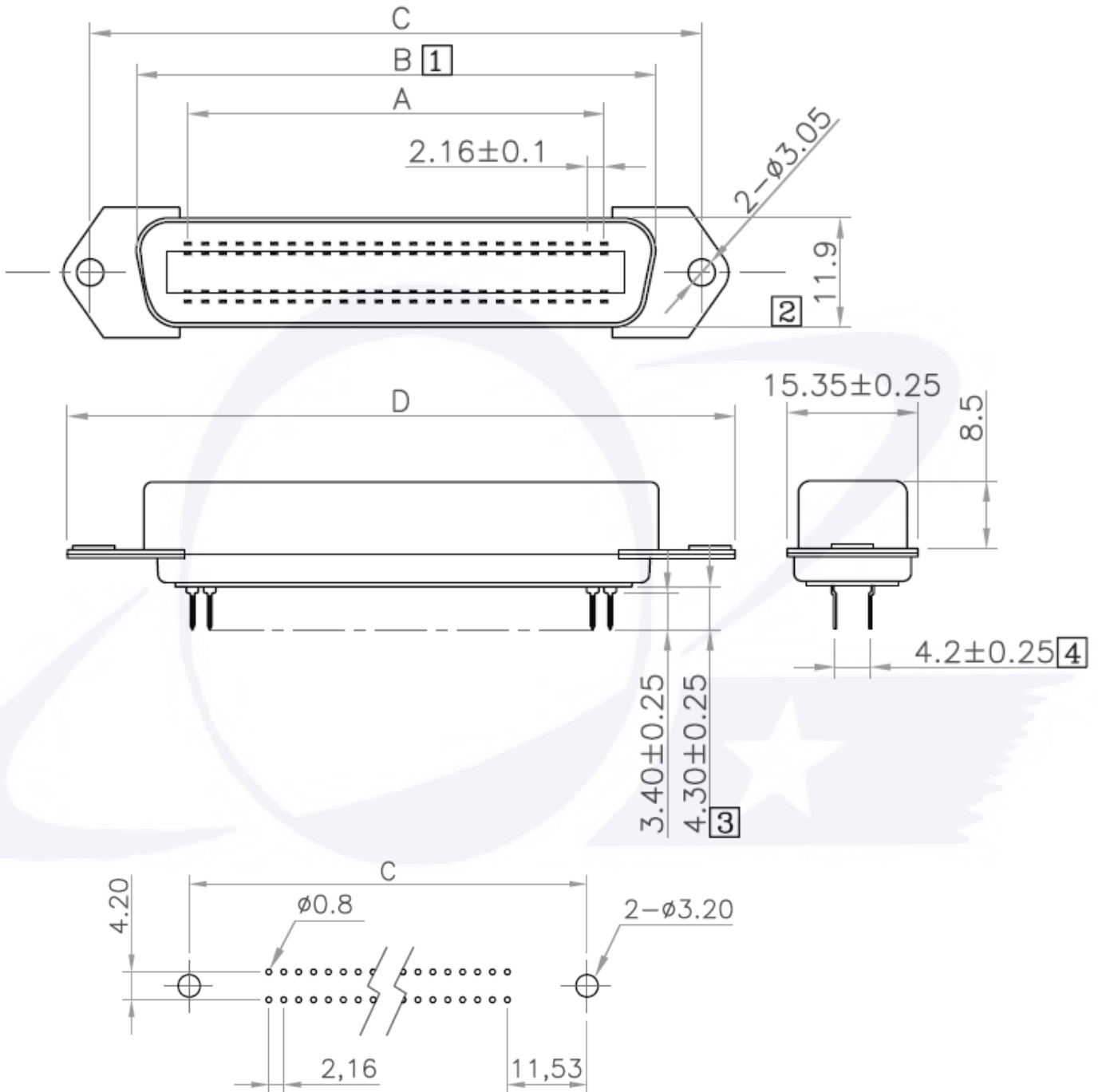
## 57 Centronic Connector Female DIP type Row Pitch 4.20mm

### Material & Finish

Shell: Steel Zinc plated, Tin plated or Nickel plated steel  
 Pin Contact: Phos. Bronze or Brass Gold plated  
 Insulator: PBT & Glass-Fibre reinforced UL 94V-0  
 Number of contact: 14, 24, 36, 50

### Electrical

Current Rating: 5 Amp  
 Dielectric Strength: 1000V for on minute  
 Insulator Resistance: 1000Mohms Min. at 500V DC  
 Temperature: -55°C to +105°C



PCB Layout

Series-	Type-	NO. Pins-	Angle-	Screw-	Color-	Plating-	Press Fit	TERMINAL SPACE	Option-
57F	1- [1] PCB TYPE	36 50	[S] 180°/DIP	[1] STANDARD [2] W/ SPRING [3] W/O SPRING	[4] BLUE	[G1] FULL GOLD PLATED	1u" [P] W/ [BLANK] W/O	420	