

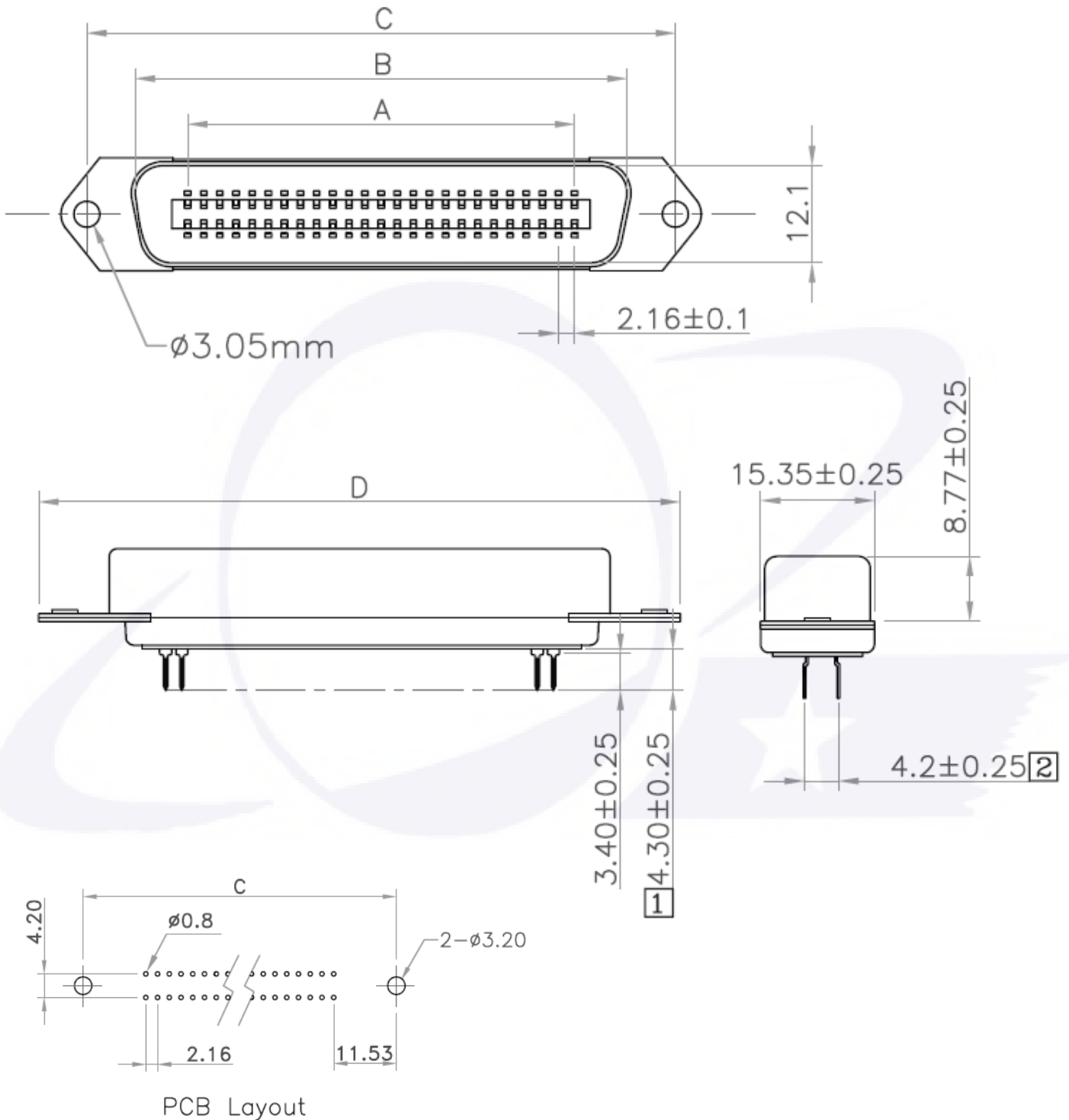
57 Centronic Connector Male DIP type Row Pitch 4.20mm

Material & Finish

Shell: Steel Zinc plated, Tin plated or Nickel plated steel
 Pin Contact: Phos. Bronze or Brass Gold plated
 Insulator: PBT & Glass-Fibre reinforced UL 94V-0
 Number of contact: 14, 24, 36, 50

Electrical

Current Rating: 5 Amp
 Dielectric Strength: 1000V for on minute
 Insulator Resistance: 1000Mohms Min. at 500V DC
 Temperature: -55°C to +105°C



Series-	Type-	NO. Pins-	Angle-	Screw-	Color-	Plating-	Press Fit	TERMINAL SPACE	Option-
57M	1- [1] PCB TYPE	36 50	[S] 180°/DIP	[1] STANDARD [2] W/ SPRING [3] W/O SPRING	[4] BLUE	[G1] FULL GOLD PLATED	1u" [P] W/ [BLANK] W/O	420	